

Fig-1

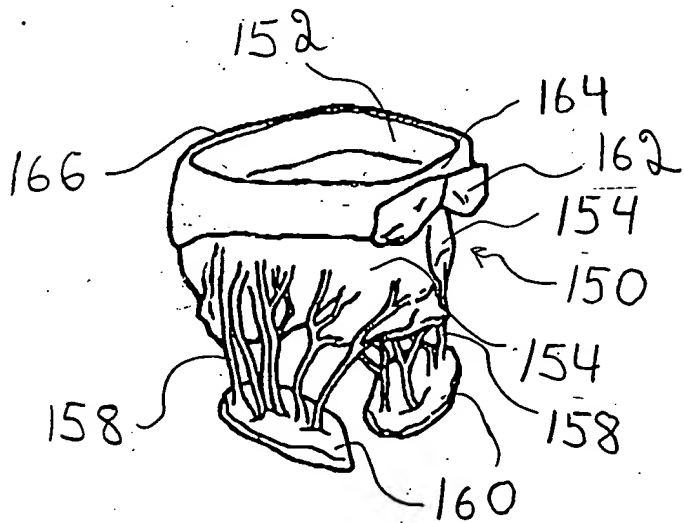


Fig-2

This drawing is a technical drawing of a garment. It is a hand-drawn sketch of a pair of pants or shorts. The drawing shows the front view of the garment. The waistband is at the top, and the legs are at the bottom. The garment has a textured, dotted surface. There are several labels with numbers pointing to different parts of the garment. The labels are: 100 (the main body of the garment), 102 (the side panel), 104 (the waistband area), 106 (the side seam), 108 (the waistband edge), 110 (the hem), 112 (the top edge), 114 (the bottom edge), 116 (the side seam), 118 (the top edge), 120 (the side panel), 122 (the hem), 124 (the side panel), and 128 (the side seam).

Fig. 3

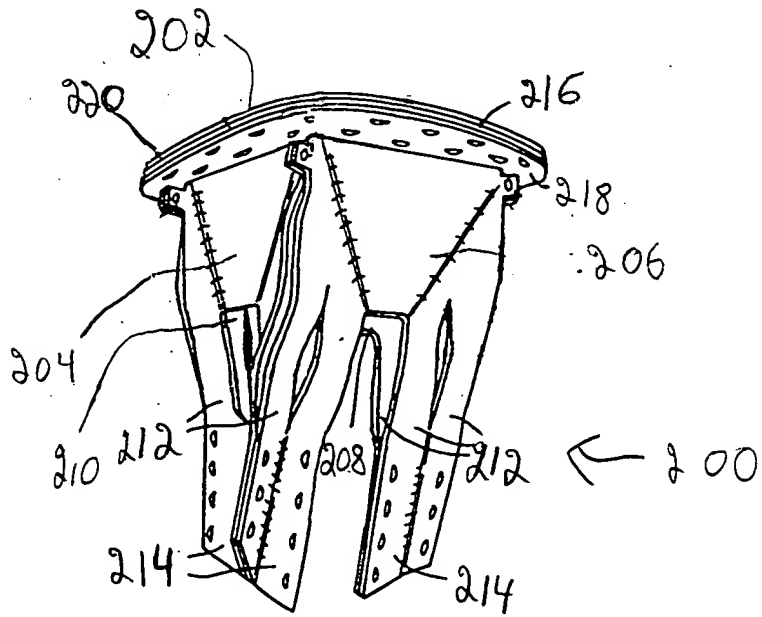
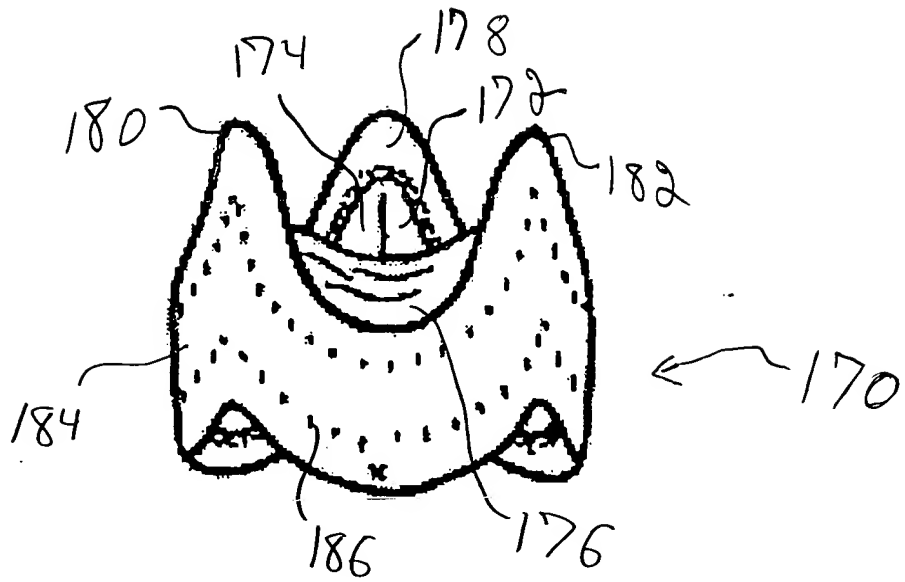


Fig. 4

U.S. Pat. No. 3,800,000

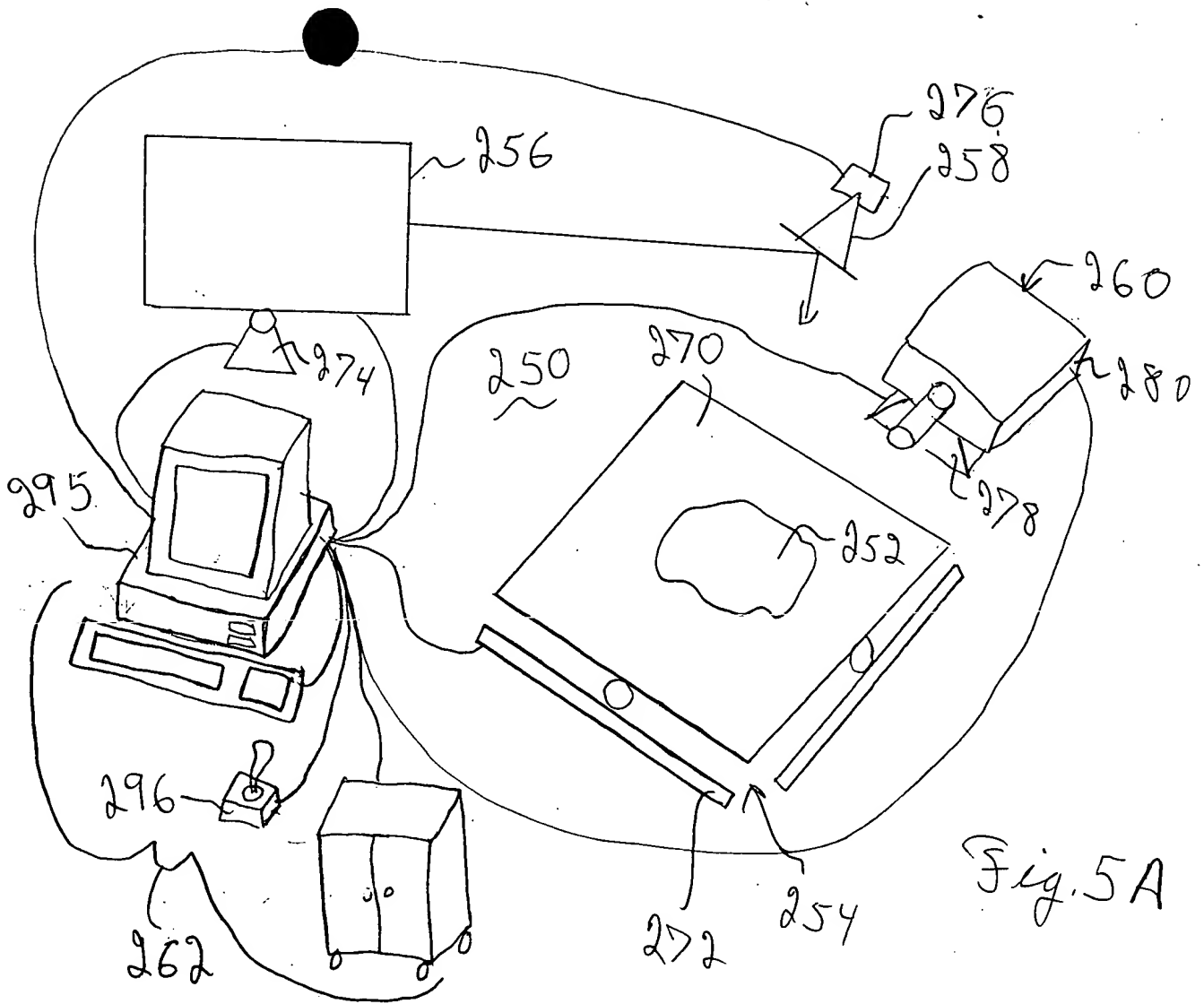


Fig. 5A

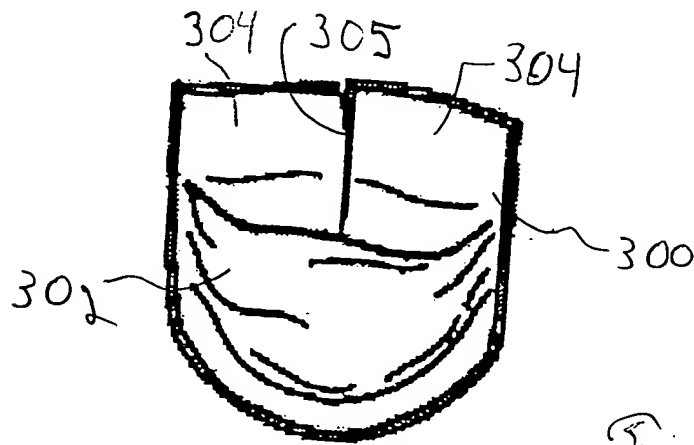


Fig. 7

This document is the property of the University of California, Berkeley. It is to be used only for the purposes specified in the license agreement.

Patent Office
Washington, D.C.
20540
U.S. Patent and Trademark Office
Patent Office
Washington, D.C.
20540
U.S. Patent and Trademark Office

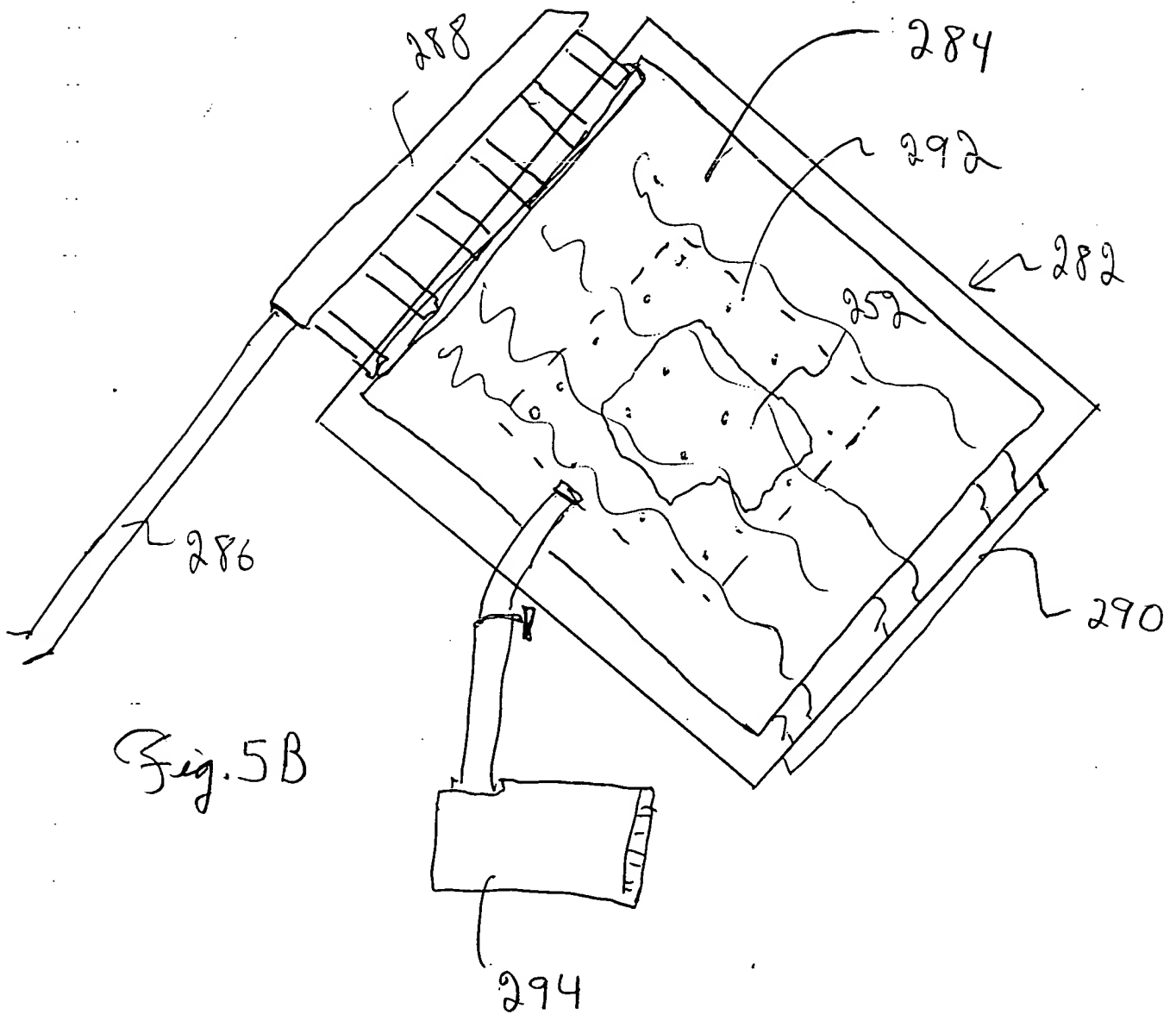


Fig. 5B

U.S. PATENT OFFICE
OFFICE OF THE COMMISSIONER OF PATENTS
WASHINGTON, D.C. 20540

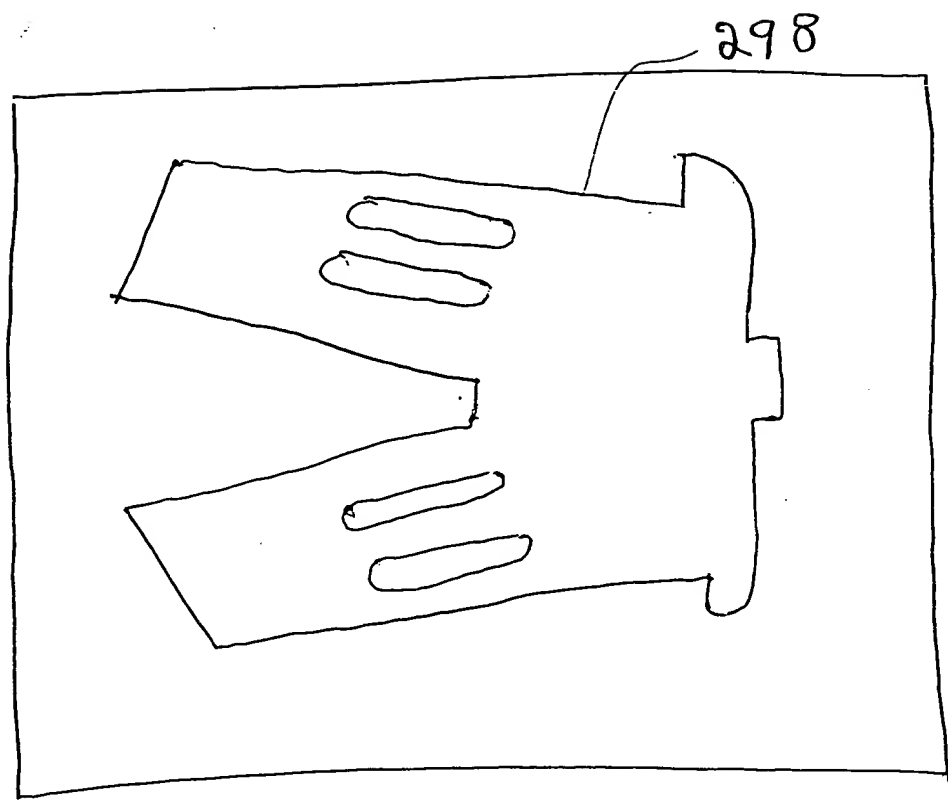


Fig. 6

Fig. 8

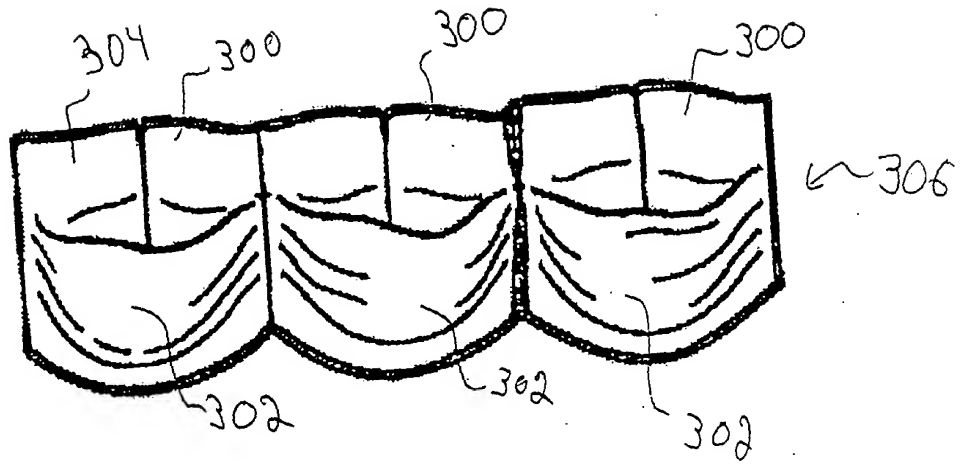


Fig. 9

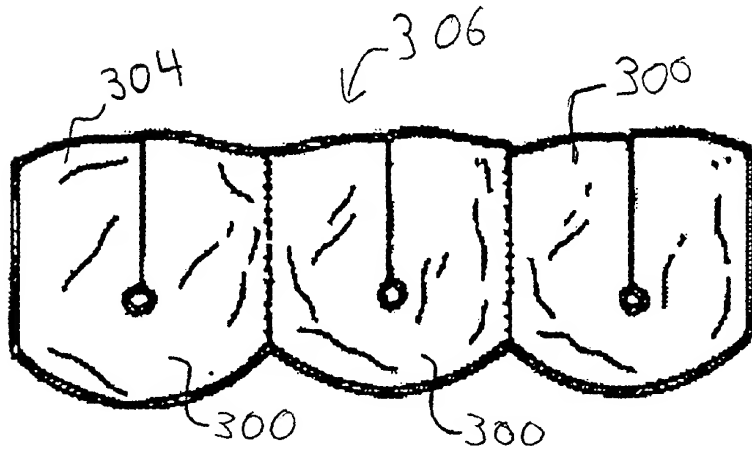
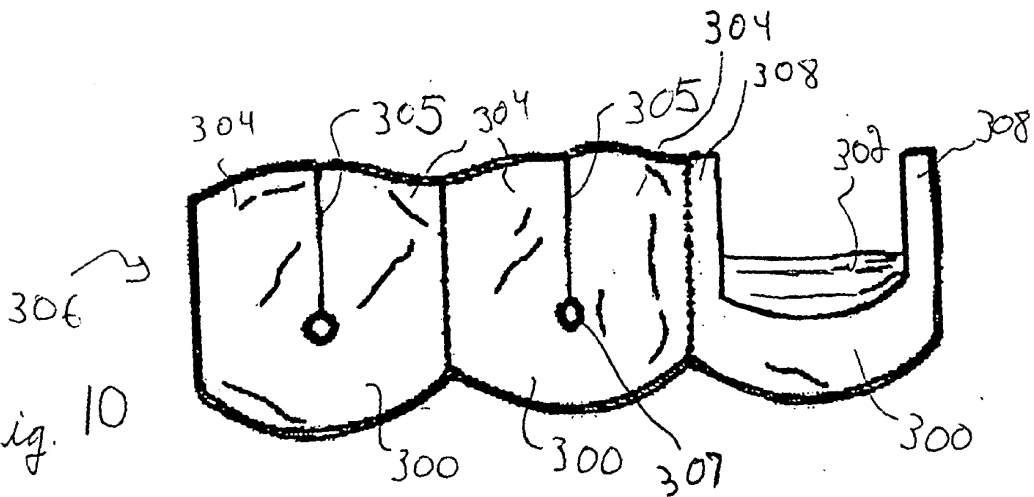
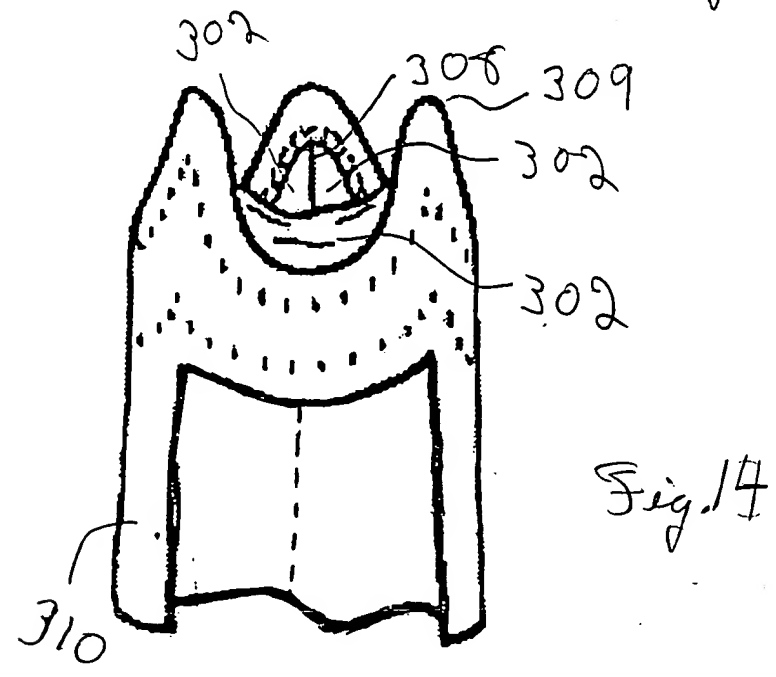
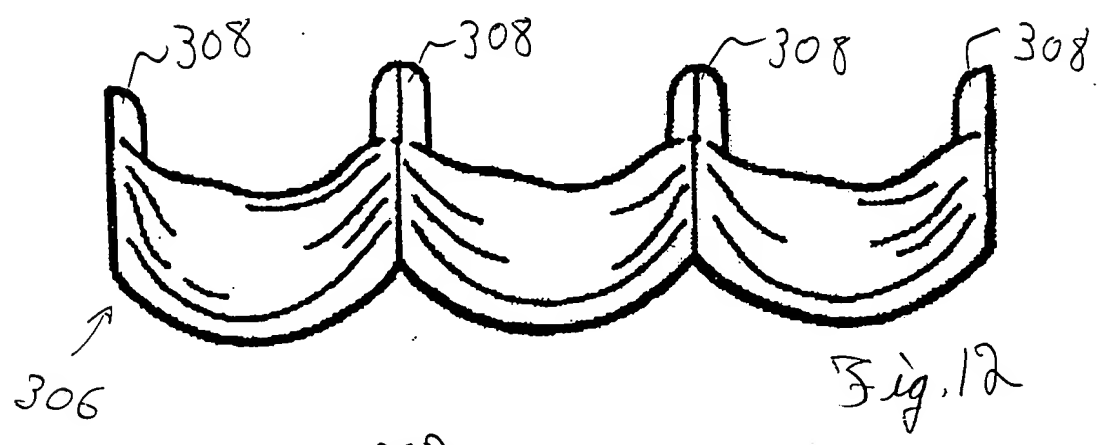
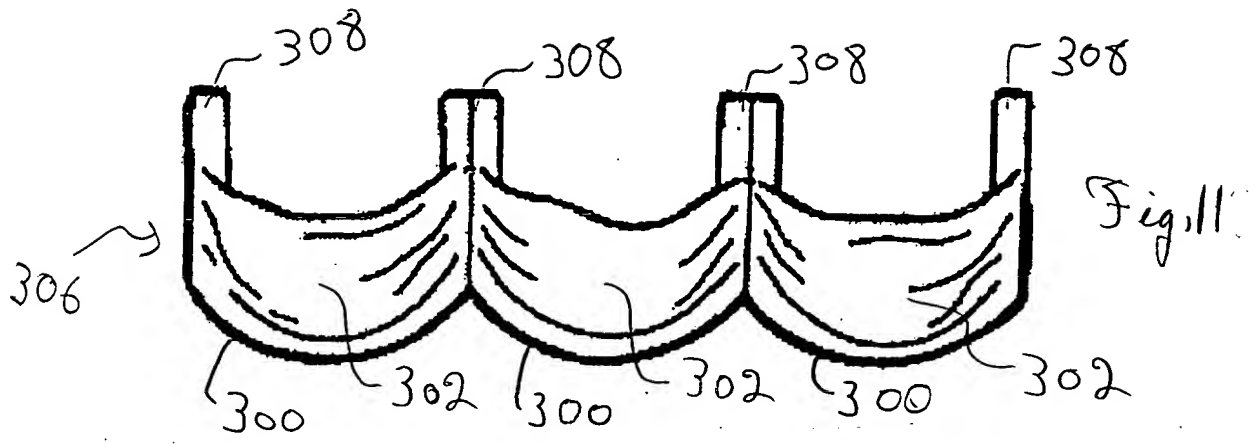


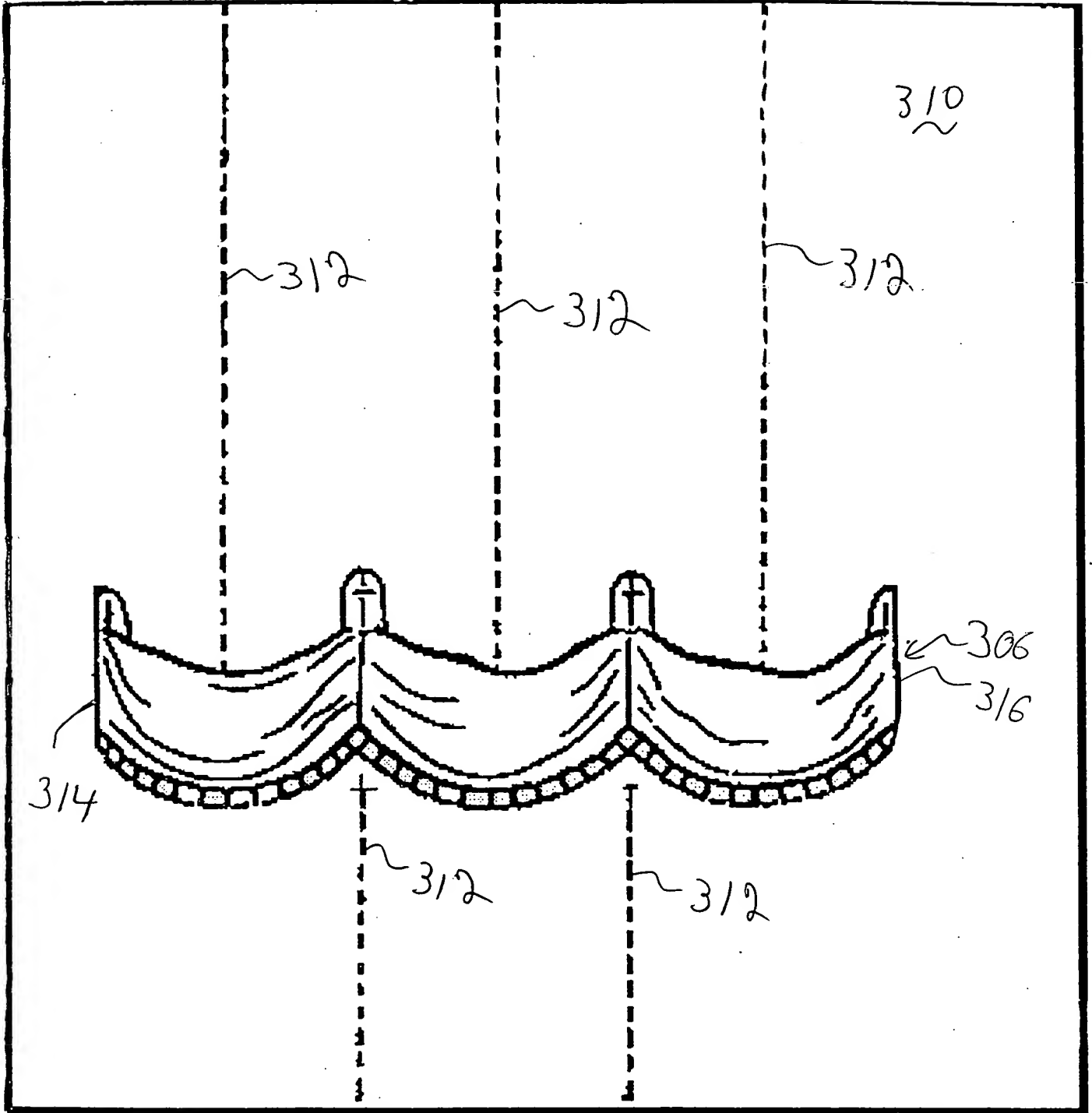
Fig. 10





Handwritten text on the left margin, possibly bleed-through from the reverse side of the page.

Fig. 13



U.S. Pat. Office
Copyright 1913
By J. B. ...
New York, N.Y.

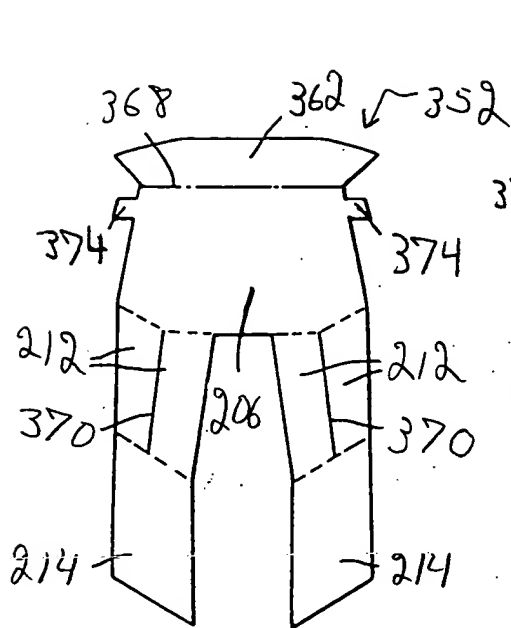


Fig. 16

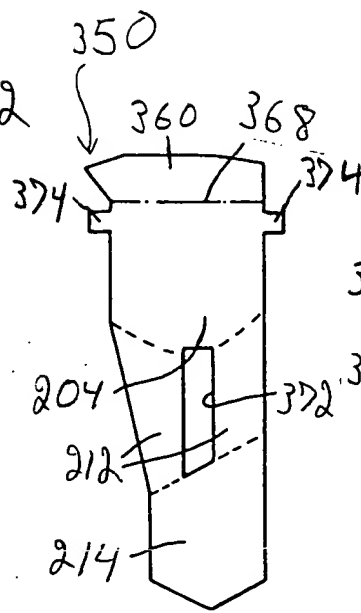


Fig. 15

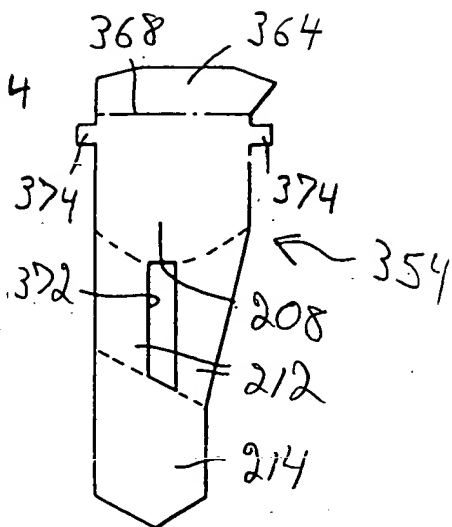


Fig. 17

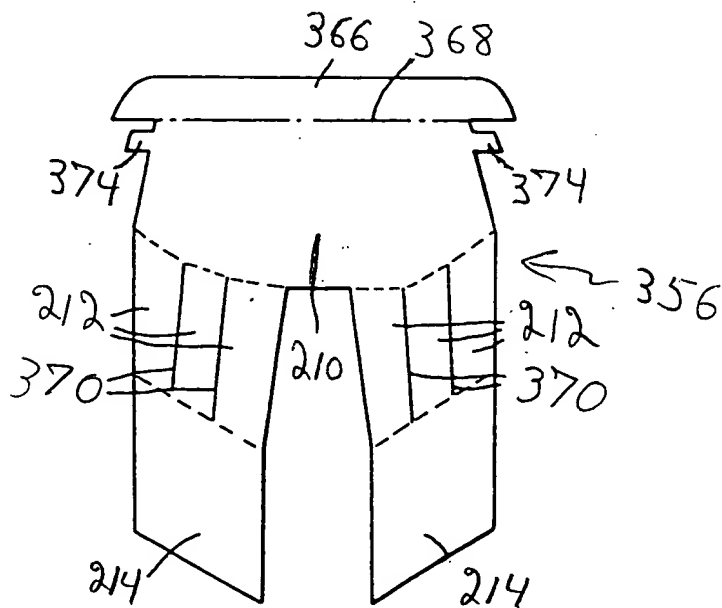
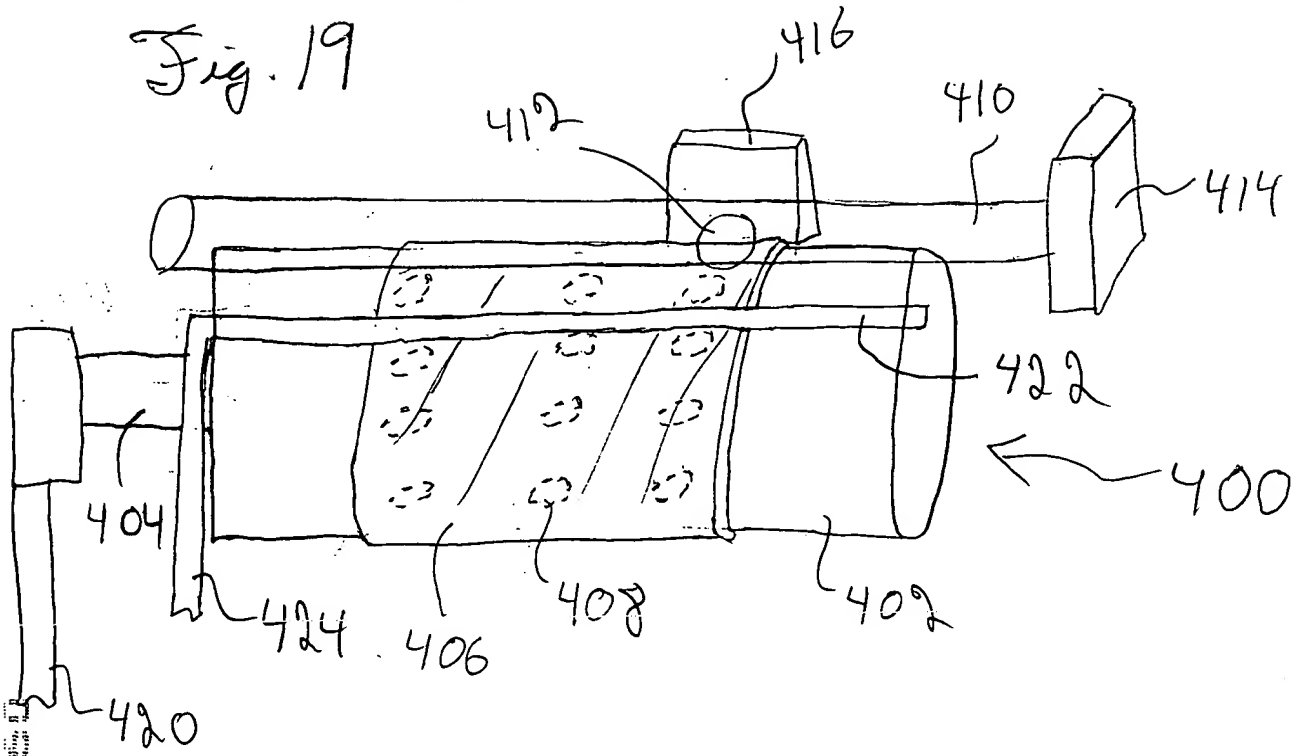


Fig. 18

This drawing is a schematic representation of a container and is not intended to be a precise drawing of a specific container. It is intended to illustrate the general structure and components of the container.

Fig. 19



U.S. PATENT OFFICE
PHOTODUPLICATION SERVICE
STATIONERY DIVISION
WASHINGTON, D.C. 20540